

## V MOUNTINGS S RANGE

### Description:

Vibracoustics Ltd Standard range of V Mountings are maintenance free, high performance units designed to provide excellent vibration isolation on medium and high speed applications above 1000rpm.

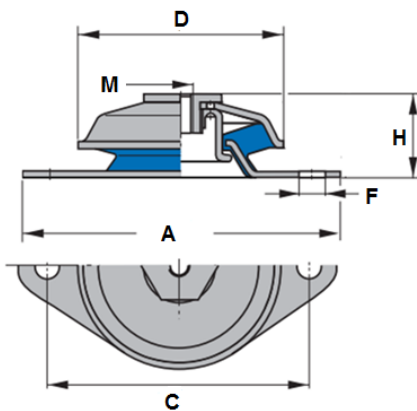
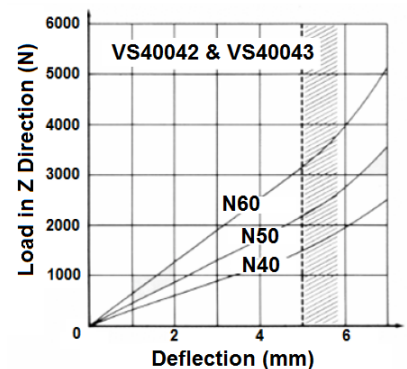
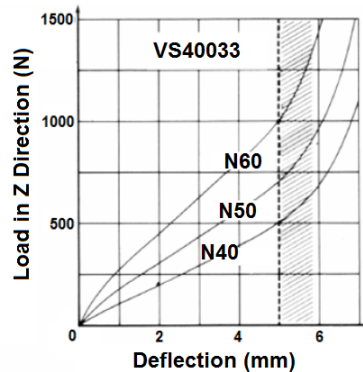
- Fully captive types VS40033 & VS40043 for mobile or marine applications.
- Shock capability +/-5g vertically at full load conditions.
- Top metal cover provides additional protection against UV ageing and oil contamination.
- Corrosion protective finish as standard.
- Standard components produced in natural rubber.
- Height adjustment versions also available.



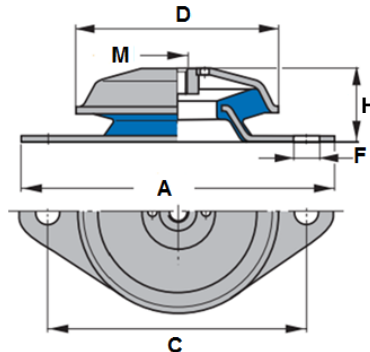
### Load and Deflection Characteristics

### Typical Applications Include:

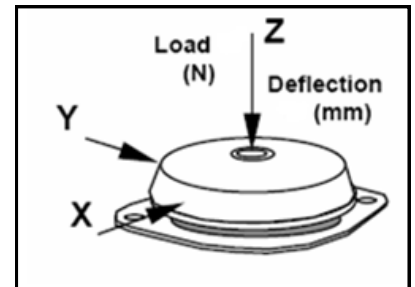
- Generators.
- Machinery.
- Pumps.
- Compressors.
- Machine tools.
- Engines.
- Control panels.
- Fans.
- Blowers.



VS40033 & VS40043



VS40042



Part No.	Shore Hardness	Dimensions (mm)						Load Direction Z			X or Y Direction
		A	D	M	C	F	H	Max Load (N)	Max Defl. (mm)	Spring Rate (N/mm)	Spring Rate (N/mm)
VS40033	N40	134	82	M12	100-110	11	33	500	5	100	180
VS40033	N50	134	82	M12	100-110	11	33	700	5	140	250
VS40033	N60	134	82	M12	100-110	11	33	1000	5	200	360
VS40042	N40	170	110	M12	140	13	42	2000	5	400	380
VS40043							46.5				
VS40042	N50	170	110	M12	140	13	42	2800	5	560	560
VS40043							46.5				
VS40042	N60	170	110	M12	140	13	42	4500	5	900	820
VS40043							46.5				



Vibracoustics is continually seeking to improve products and reserves the right to change designs and specifications without prior notice or alteration of literature.

For applications and technical assistance please contact [Vibracoustics](http://www.vibracoustics.com), see index Ref 00-A-01

