

## V MOUNTINGS S RANGE

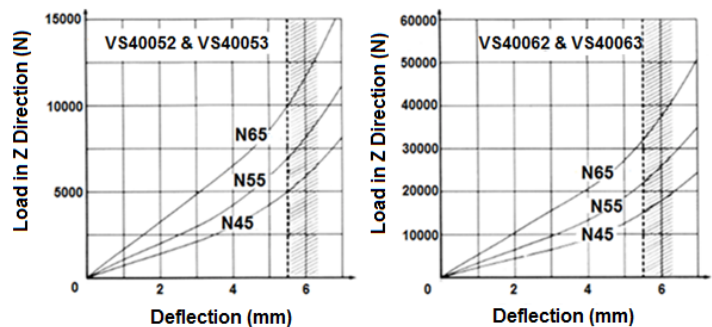
### Description:

Vibracoustics Ltd Standard range of V Mountings are maintenance free, high performance units designed to provide excellent vibration isolation on medium and high speed applications above 1000rpm.

- Fully captive types VS40053 & VS40063 for mobile or marine applications.
- Shock capability +/-5g vertically at full load conditions.
- Top metal cover provides additional protection against UV ageing and oil contamination.
- Corrosion protective finish as standard.
- Standard components produced in natural rubber.
- Height adjustment versions also available.

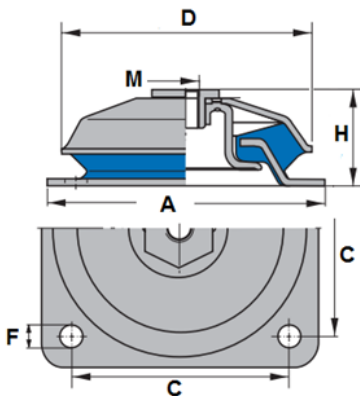


### Load and Deflection Characteristics

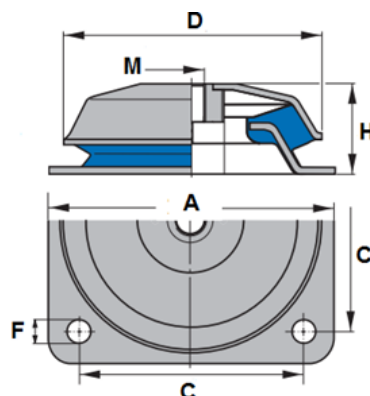


### Typical Applications Include:

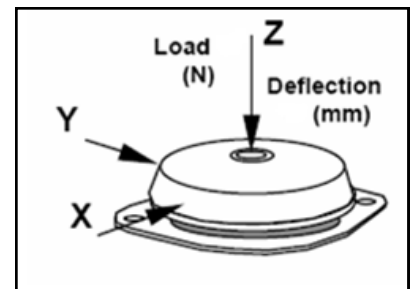
- Generators.
- Engines.
- Machinery.
- Control panels.
- Pumps.
- Fans.
- Compressors.
- Blowers.
- Machine tools.



VS40053 & VS40063



VS40052 & VS40062



Part No.	Shore Hardness	Dimensions (mm)						Load Direction Z			X or Y Direction
		A	D	M	C	F	H	Max Load (N)	Max Defl. (mm)	Spring Rate (N/mm)	Spring Rate (N/mm)
VS40052	N45	168	153	M16	132	13	54	5500	5	1100	770
VS40053							59.5				
VS40052	N55	168	153	M16	132	13	54	7700	5	1540	1100
VS40053							59.5				
VS40052	N65	168	153	M16	132	13	54	12200	5	2440	1550
VS40053							59.5				
VS40062	N45	220	210	M20	180	18	74	13200	5	2640	2250
VS40063							74				
VS40062	N55	220	210	M20	180	18	74	20900	5	4180	3300
VS40063							74				
VS40062	N65	220	210	M20	180	18	74	32000	5	6400	4800
VS40063							74				