

Description:

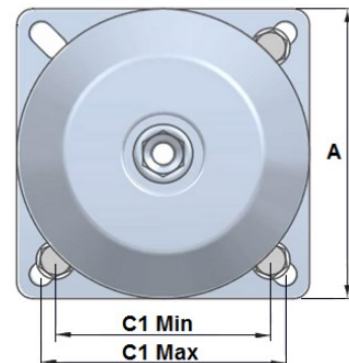
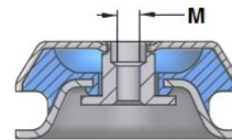
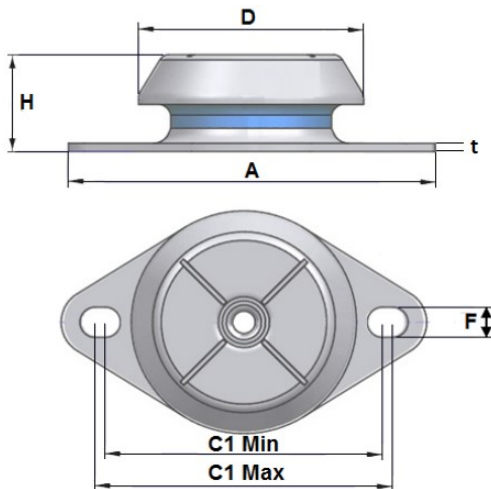
Vibracoustics Ltd Marine Type Approved High Deflection range of V Mountings are a general purpose series of mounts offering improved isolation performance over the S types.

With zinc plated metals to minimise corrosion and an integral internal rebound snubber as standard, the series is ideally suited for mobile, static or marine applications.

Designed to load the rubber in both compression and shear, the metal construction protects against oil contamination and reduces ozone damage to maximise service life.

Typical Applications Include:

- Internal combustion engines.
- Industrial and Marine generating sets.
- Compressors.
- Pumps.
- Hydraulic power packs.
- Control cabinets.
- Large machine tools.
- Industrial fans.



All product bases except VS4055 & VS4069

VS4055 & VS4069

Part No.	Dimensions (mm)								Max Load (Kg) & Deflection (mm)					
	D	H	M	C1 Min	C1 Max	A	t	F	N40 Load	N40 Defl.	N50 Load	N50 Defl.	N60 Load	N60 Defl.
VS4061	64	35	M10	76	91	110	2.5	9	30	4	45	4	65	4
VS4068	64	35	M12	100	100	120	3	11	50	4	75	3.5	120	3.5
VS4065	83	35	M10/M12	108	112	135	3	11	80	4	130	4.6	175	4.2
VS4053	106	41	M12/M16	137	150	175	3	13	200	7	305	7	420	7
VS4054	155	53.5	M16	176	188	218	4	14.5	450	9	570	8	800	8
VS4069	186	84	M20	146	150	180	5	14	875	15	1110	12	1700	13
VS4055	225	105	M24	180	180	220	6	19	1600	15	2400	14	3400	14

40 and 60 mixes from stock, 50 and 70 mixes to order.



Vibracoustics is continually seeking to improve products and reserves the right to change designs and specifications without prior notice or alteration of literature.

For applications and technical assistance please contact [Vibracoustics](http://www.vibracoustics.com), see index Ref 00-A-01

