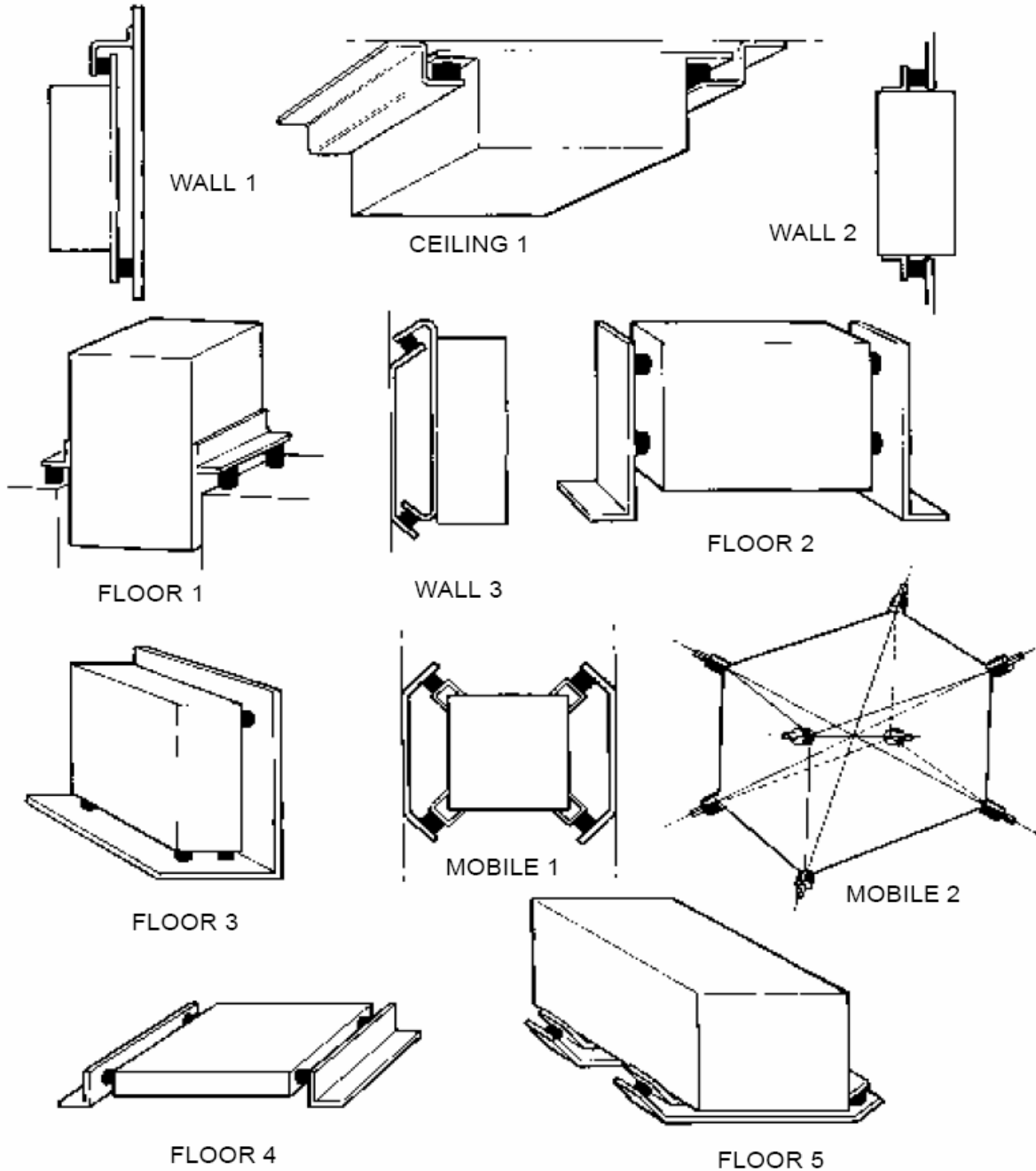


Recommended installation arrangements for Circular Mountings Product Groups - 21, 22, 23 & 29.

Plus Product Groups 52, 53, 54, 55, 61, 62 & 63.

TYPICAL MOUNTING ARRANGEMENTS



Supporting steel work must be suitably stiffened to minimise flexing and designed to contain spreading forces where an inclined mounting solution is chosen. If in doubt please consult Vibracoustics Ltd directly.

