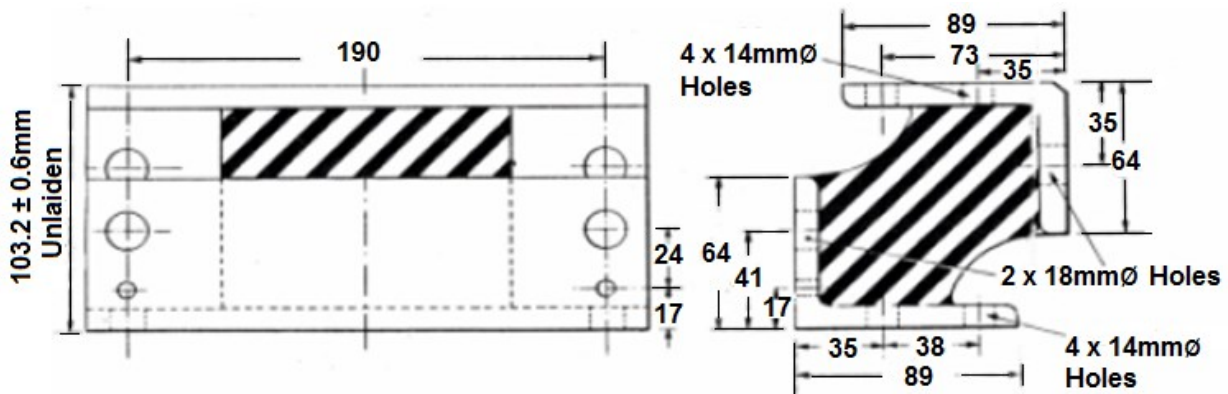
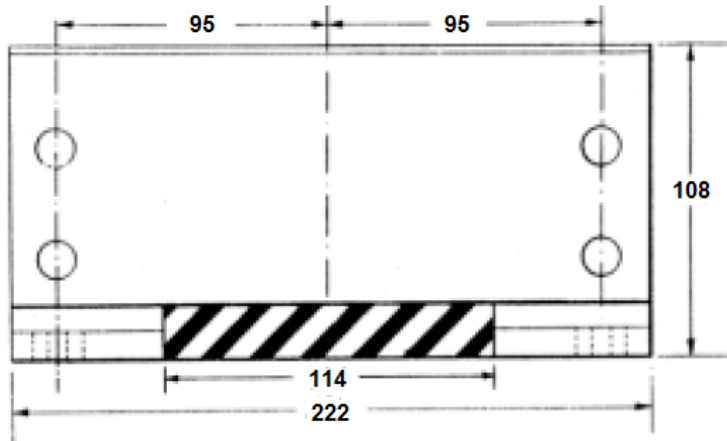


**Description:**

Vibracoustics Ltd VP Mountings are quality high deflection mountings. They are a single sided version of the VPD type and may be used in most shock absorbing applications such as engine mountings, rock-crushers or vibrating screens.



The mountings are installed in opposing pairs such that the equipment loads are supported on the rubber section in a combination of compression and shear. This creates an effective 'Vee' suspension providing high isolation efficiency.

All rubber surfaces are painted with oil resistant paint.

Note that the vertical loads create horizontal spreading forces at the lower mount fixings.

Part No.	Mounting Size/Type	Nominal Load (Kg)	Nominal Deflection (mm)
VS7028 N60	P4 1/2	450	12

For application and technical assistance please refer to Vibracoustics Ltd.

