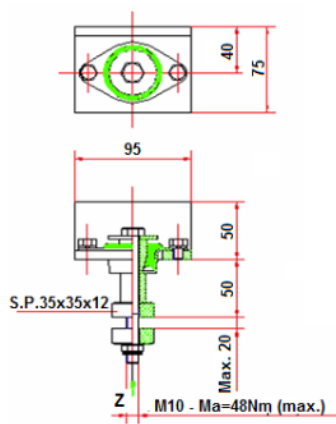
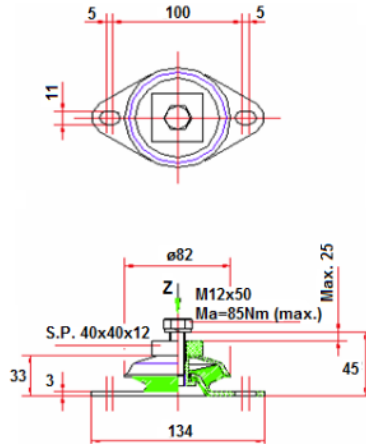


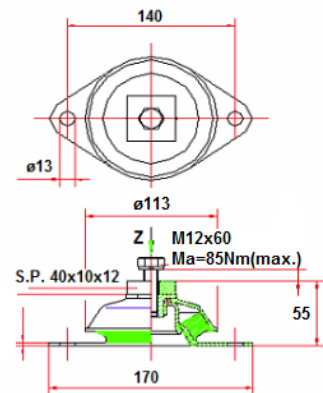
Fixed Position Supports



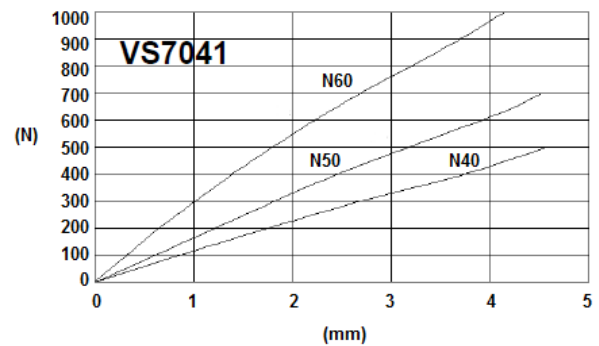
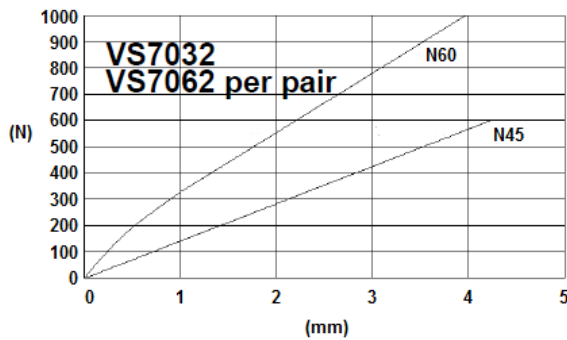
VS7032



VS7041

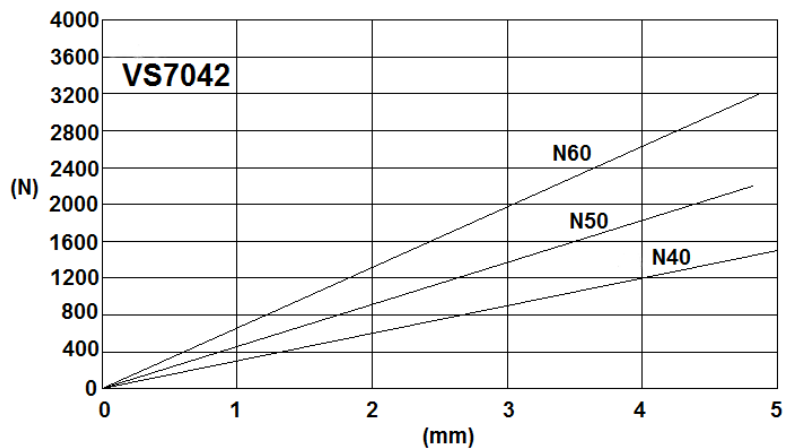
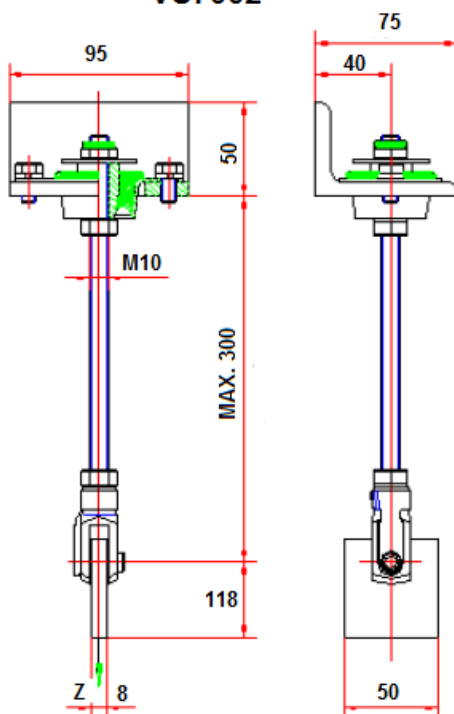


VS7042



Stabiliser Supports

VS7062



Stabiliser loads are shown for pairs installed at 90 degrees. Stabiliser with stainless steel end plates are available for stainless steel pipe work systems. To order any support, the part number is obtained by using the VS number and the last three characters from the relevant load deflection chart.

E.g. For VS7062 in N60, the part number is VS7062 N60, or with stainless steel end plate VS7062 N60 SS.