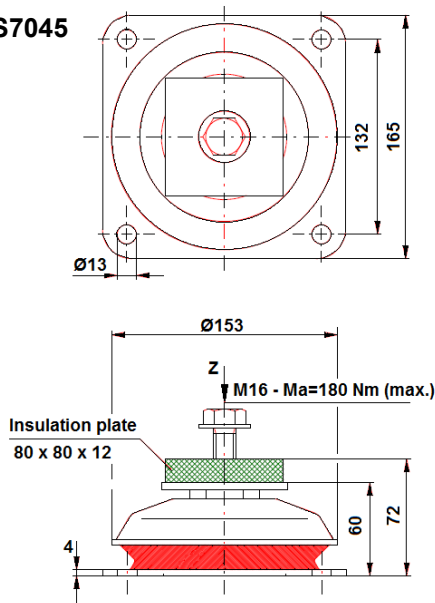
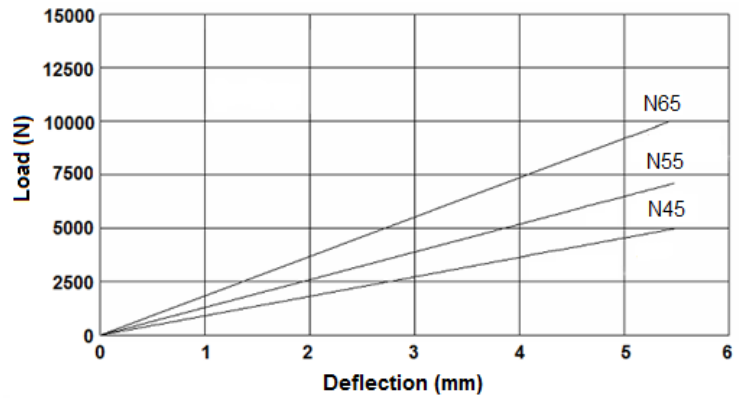


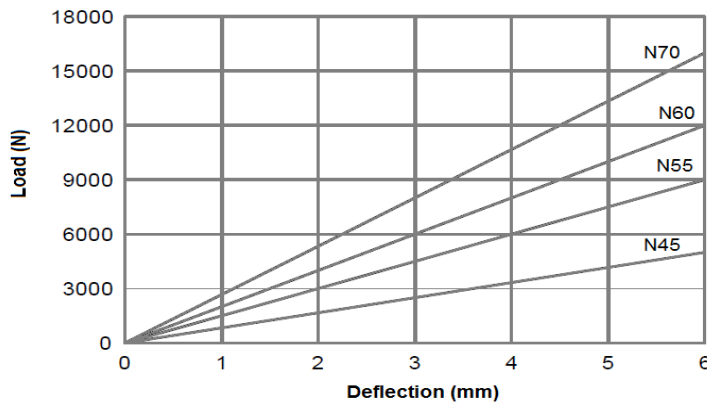
VS7045



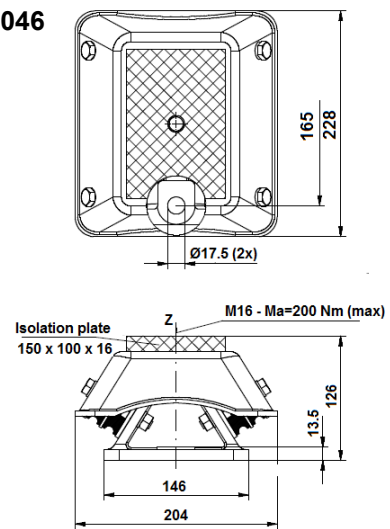
Load Deflection Characteristics For VS7045



Load Deflection Characteristics For VS7046

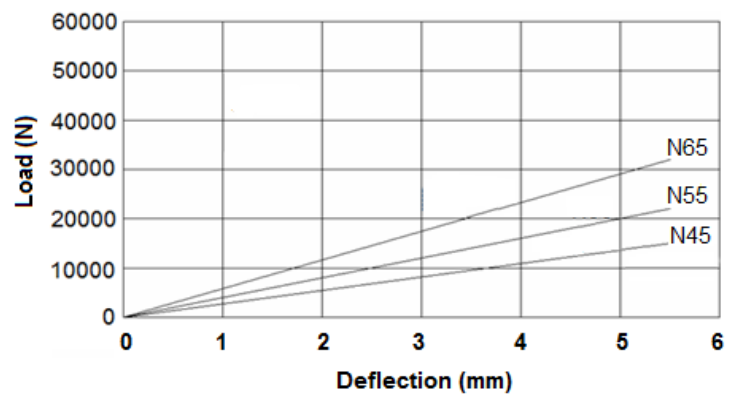
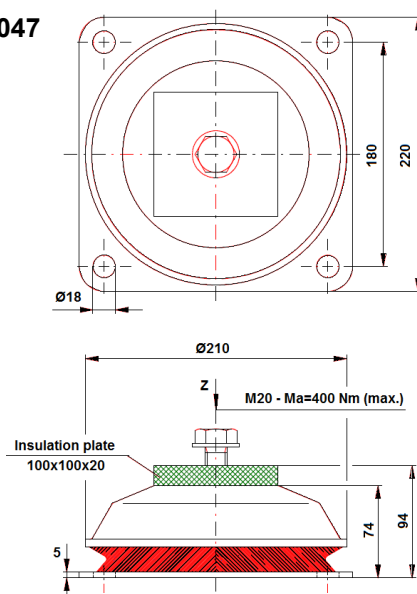


VS7046



Load Deflection Characteristics For VS7047

VS7047



To order any support, the part number is obtained by using the VS number and the last three characters from the relevant load deflection chart. E.g. For VS7046 in N60, the part number is VS7046 N60.

Available in several forms for design flexibility.