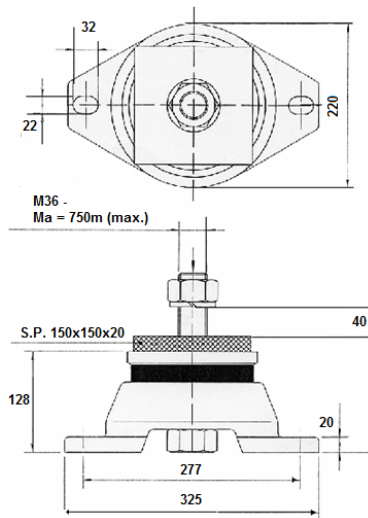
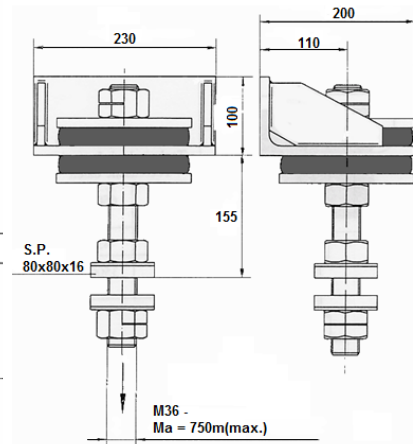


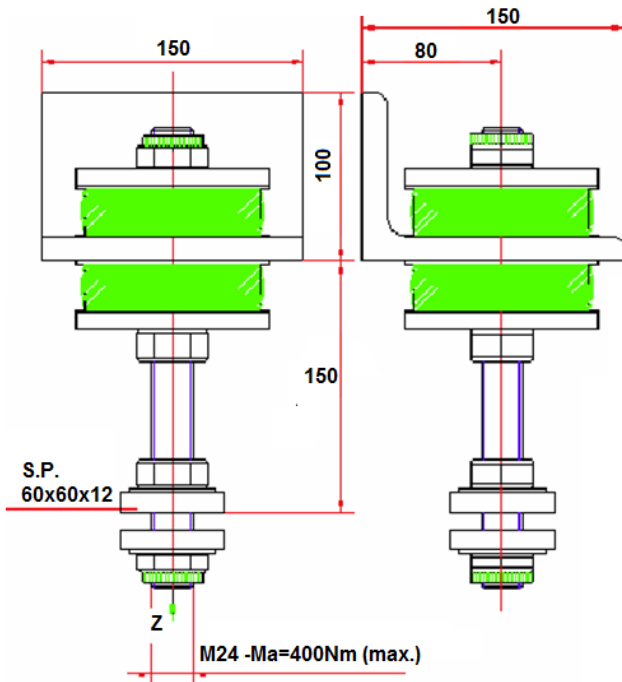
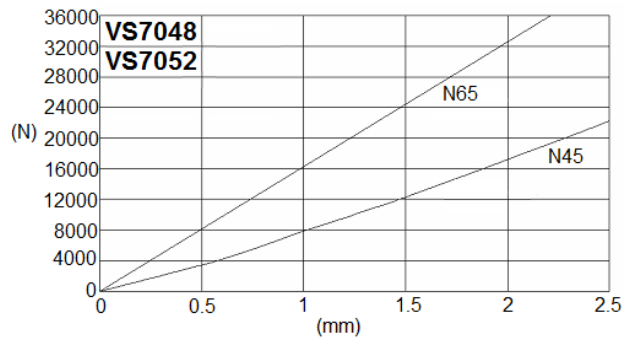
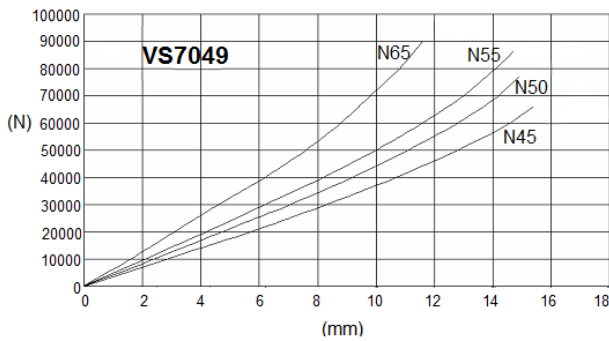
VS7049



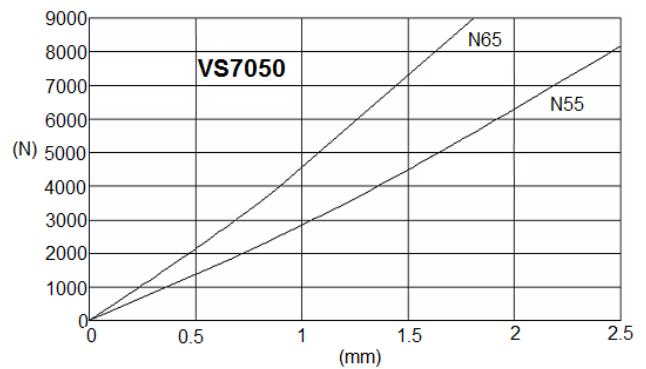
VS7048



VS7052



VS7051 is identical to VS7050 and VS7053 is identical to VS7052 but both use double height rubber elements and are half the unit stiffness of VS7050 & VS7052 respectively.



To order any support, the part number is obtained by using the VS number and the last three characters from the relevant load deflection chart.

E.g. For VS7049 in N55, the part number is VS7049 N55.