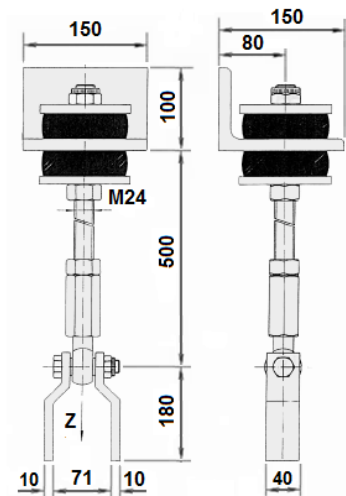
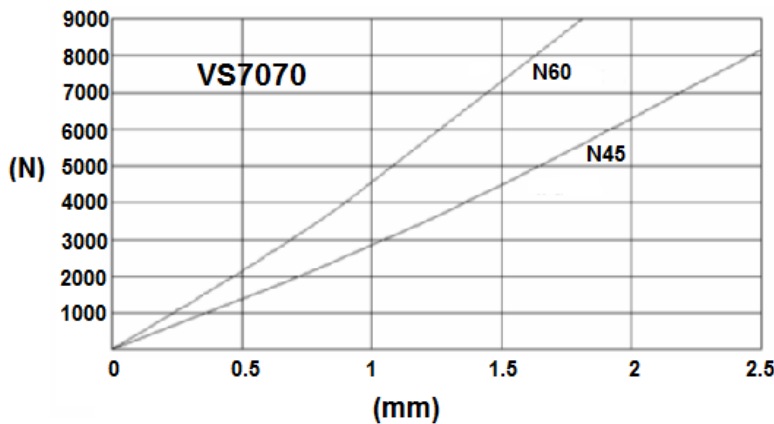
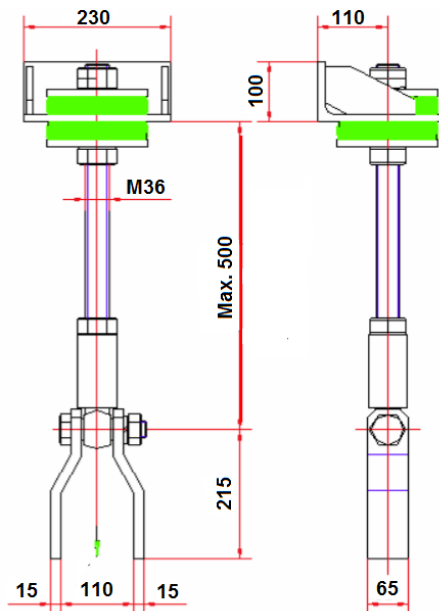


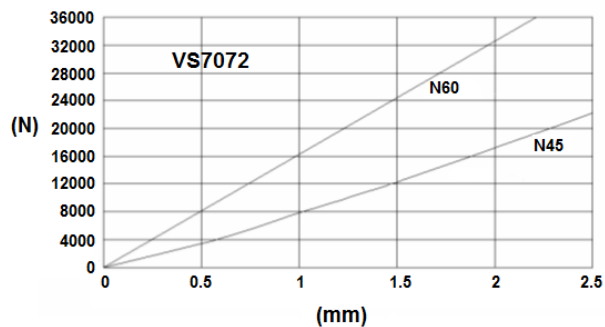
All Stabiliser characteristics, for pairs installed at 90 degrees.



VS7070

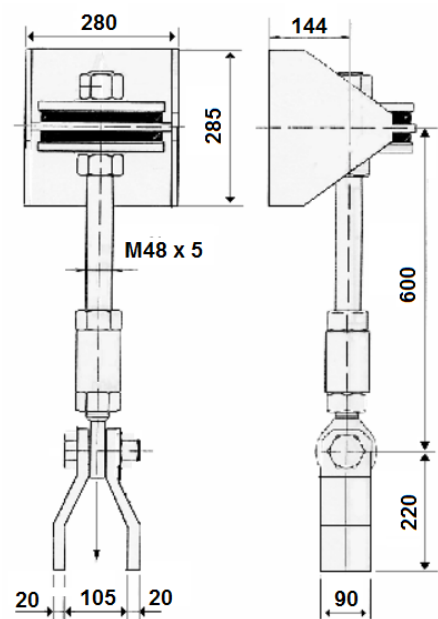
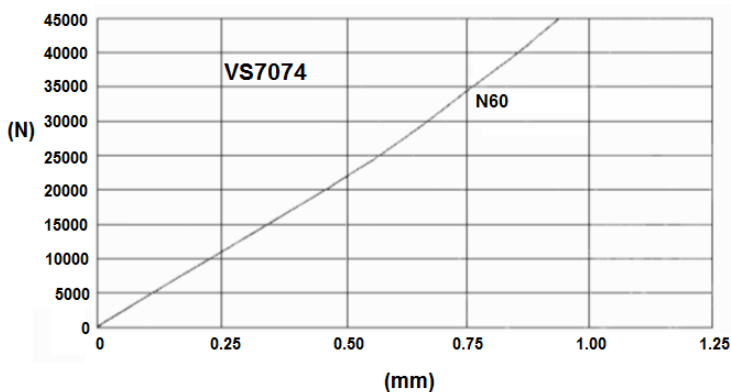


VS7072



To order any support, the part number is obtained by using the VS number and the last three characters from the relevant load deflection chart. Stainless steel end plates are available for stainless steel pipe work systems. E.g. For VS7070 in N60, the part number is VS7070 N60, or with stainless steel end plate VS7070 N60 SS.

VS7071 is identical to VS7070, VS7073 is identical to VS7072 and VS7075 is identical to VS7074 but all use double height rubber elements and are half the unit stiffness of VS7070, VS7072 & VS7074 respectively.



VS7074

