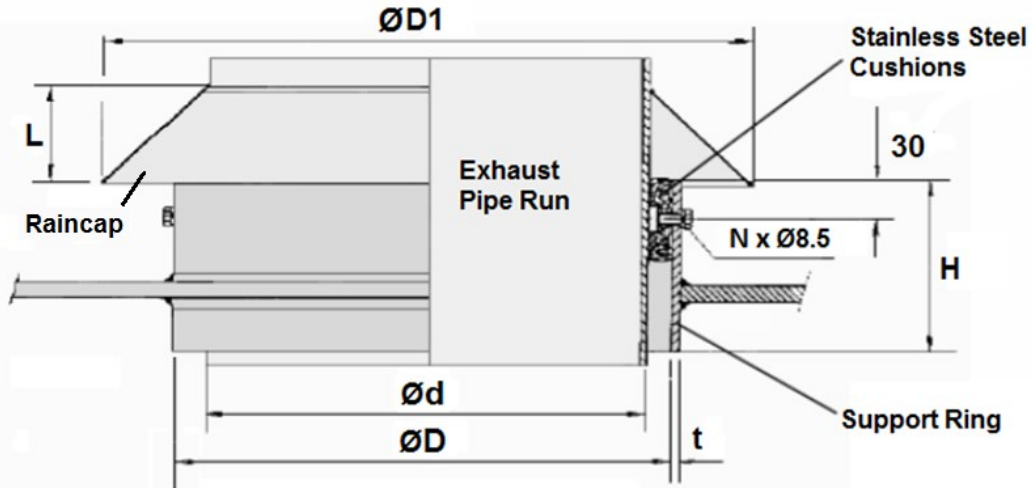


Description:

Vibracoustics Ltd Funnel Deck Pipe Supports include raincap, support ring and stainless steel cushions.



Part No.	Nom Bore	Dimensions (mm)						
		d	D	t	H	N	D1	L
VS FDPR 0060.3	50	60.3	109.8	5.6	130	2 x Ø37 x 180°	215	75
VS FDPR 0076.1	65	76.1	127.1	6.3	130	2 x Ø37 x 180°	230	75
VS FDPR 0088.9	80	88.9	136	5	130	3 x Ø37 x 120°	240	75
VS FDPR 0114.3	100	114.3	161	5	130	3 x Ø37 x 120°	265	75
VS FDPR 0139.7	125	139.7	187	6	130	3 x Ø37 x 120°	290	75
VS FDPR 0168.3	150	168.3	215	8	160	3 x Ø60 x 120°	318	75
VS FDPR 0193.7	175	193.7	241	8	160	3 x Ø60 x 120°	339	75
VS FDPR 0219.1	200	219.1	266	8	160	3 x Ø60 x 120°	369	75
VS FDPR 0273.0	250	273	320	8	160	3 x Ø60 x 120°	423	75
VS FDPR 0323.9	300	323.9	370	8	160	4 x Ø60 x 90°	474	75
VS FDPR 0355.6	350	355.6	402	8	200	4 x Ø60 x 90°	506	75
VS FDPR 0406.4	400	406.4	453	8	200	4 x Ø60 x 90°	556	75
VS FDPR 0457.2	450	457.2	505	8	200	5 x Ø60 x 72°	607	75
VS FDPR 0508.0	500	508	555	8	200	5 x Ø60 x 72°	658	75
VS FDPR 0608.0	600	608	655	8	200	5 x Ø60 x 72°	758	75
VS FDPR 0711.0	700	711	758	8	200	5 x Ø60 x 72°	862	75
VS FDPR 0813.0	800	813	860	8	200	8 x Ø60 x 45°	970	75
VS FDPR 0914.0	900	914	961	8	200	8 x Ø60 x 45°	1065	75
VS FDPR 1016.0	1000	1016	1063	8	200	8 x Ø60 x 45°	1173	75
VS FDPR 1120.0	1100	1120	1167	8	200	8 x Ø60 x 45°	1277	75
VS FDPR 1220.0	1200	1220	1267	8	200	8 x Ø60 x 45°	1377	75
VS FDPR 1320.0	1300	1320	1367	8	200	10 x Ø60 x 36°	1477	75
VS FDPR 1620.0	1600	1620	1667	8	200	12 x Ø60 x 30°	1780	75
VS FDPR 1820.0	1800	1820	1867	8	200	12 x Ø60 x 30°	1980	75



Vibracoustics is continually seeking to improve products and reserves the right to change designs and specifications without prior notice or alteration of literature.

For applications and technical assistance please contact [Vibracoustics](http://www.vibracoustics.com), see index Ref 00-A-01

