

## Description:

Vibracoustics Ltd Marine Type Approved Standard range of V Mountings are a general purpose series of mounts offering excellent isolation performance over a wide range of loads.

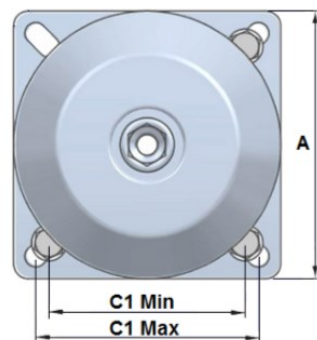
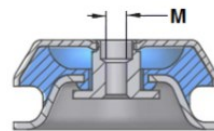
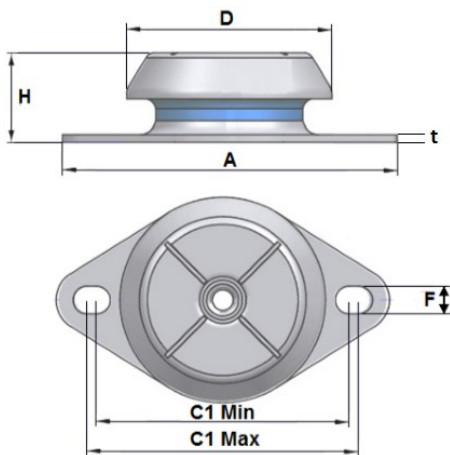
With zinc plated metals to minimise corrosion and an integral internal rebound snubber as standard, this series is ideally suited for mobile, static or marine applications.

Designed to load the rubber in both compression and shear, the metal construction protects against oil contamination and reduces ozone damage to maximise service life.



## Typical Applications Include:

- Internal combustion engines.
- Industrial and Marine generating sets.
- Compressors.
- Pumps.
- Hydraulic power packs.
- Control cabinets.
- Large machine tools.
- Industrial fans.



All product bases except VS4022, VS4067 & VS4071

VS4022, VS4067 & VS4071

Part No.	Dimensions (mm)								Max Load (Kg) & Deflection (mm)					
	D	H	M	C1 Min	C1 Max	A	t	F	N40 Load	N40 Defl.	N50 Load	N50 Defl.	N60 Load	N60 Defl.
VS4066	64	35	M10/M12	76	91	110	2.5	9	70	2.6	130	2.8	170	2.7
VS4062	78	31	M10/M12	108	111	130	3	9	110	2.3	161	2.3	231	2.2
VS4052	92	34	M10/M12	122	126	150	3	10	180	3.6	230	3	270	3
VS4043	106	37	M12/M16	137	150	175	3.5	13	250	3.4	350	3	450	2.6
VS4050	123	43	M16	154	162	190	4	14	450	5	550	4.4	690	3.7
VS4070	155	49	M16	176	188	218	4	14.5	750	9.4	950	8.8	1300	7.2
VS4067	155	57	M16/M20	140	140	170	4	14.5	900	7.5	1200	7	1600	7
VS4022	180	67	M20	149	163	192	4	14.5	1300	8	1750	6.6	2100	5.5
VS4071	225	105	M24	180	180	220	6	19	2500	10	3200	9	4000	9

40 and 60 mixes from stock, 50 and 70 mixes to order.

